



## Combat Covid-19 with our advanced enterprise-grade wearable for social distancing.



Terabee Proximeter **detects 'potentially dangerous' encounters** with other users, vibrates or sounds a **reminder to distance** when you are too close to other people for too long. **It stores potentially dangerous encounters** for download, or transmission to a server. If a wearer falls ill, potentially dangerous encounters can be analysed and early quarantine, or other safety measures put in place.

Terabee Proximeter is more than a simple buzzer! Advanced sensor networking means that each device constantly adapts to complex people dynamics as clusters form and dissipate. For each potentially dangerous encounter, the IDs of the devices, the duration of the encounter and the date and time of the encounter are encrypted and stored.

## Key product features

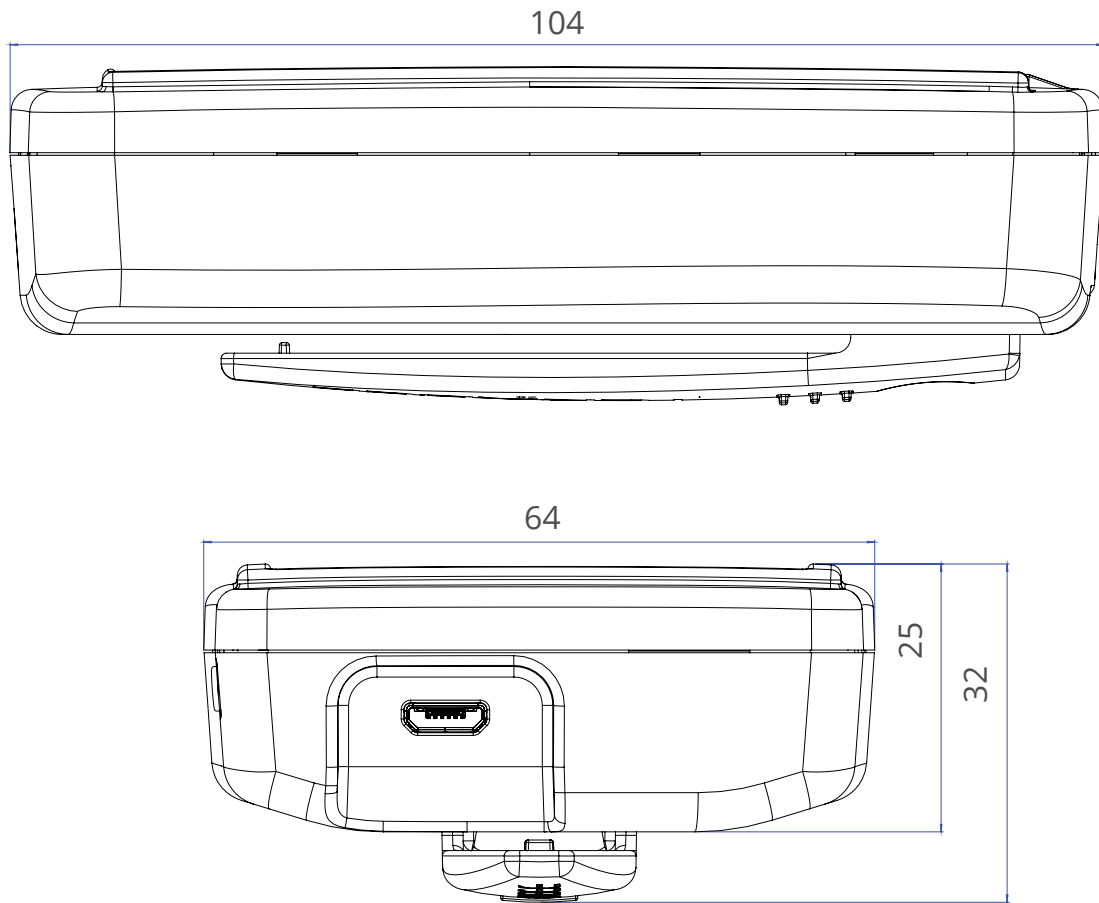
- Ultra wideband two-way ranging – far greater accuracy and reliability than Bluetooth or WiFi technology
- Configurable distance and time threshold parameters
- 14 days of encounters encrypted and stored on each device
- Long battery life. A full working day on a single charge
- Waist belt clip. Lanyard loop. Slot for ID card
- Optional LoRaWAN interface for wireless data transfer

## Technical specifications

Product code	TB-PROX-1
<b>Performance</b>	
Ranging technology	Ultra wideband
Output distance range	Up to 10 m
Accuracy (Line of Sight)	Distance: ±10 cm
Maximum number of simultaneous devices within the detection range	50
Update rate	Up to 1Hz
Max. number of devices supported	64,000 different IDs
Radiofrequency range	UWB, Channel 5: Band 6240 to 6739.2 MHz Center frequency 6489.6 MHz
On-board memory	14 days of events stored in local non-volatile memory (encrypted)
<b>Electronics</b>	
Supply voltage for battery recharge ( $V_{IN}$ )	USB: 5 V DC
Battery life	Approx. 1 working day
Charging time	8 h <sup>1</sup>
On/Off activation	Dedicated button and Auto OFF for extreme low battery
Software update	Available through micro-USB connector
<b>Communication interfaces</b>	
USB 3.0 communications device class (CDC)	Serial interface for configuration, software upgrades and data download
<b>Alerts &amp; Notifications</b>	
Visual	LED indicators for On/Off status, low battery alerts
Mechanical	Vibration (programmable)
Acoustic	Buzzer (programmable)
Device ID	Sticker
<b>Software tools</b>	
Configuration parameter setting	USB + GUI
Download all potentially dangerous encounters from previous 2 weeks	USB + GUI
<b>Enclosures</b>	
Dimensions	103.9 mm x 63.7 mm x 25.4 mm
Weight	Approx. 120 g
Housing material	ABS (SVHC & Natural latex free)
Color	Blue <sup>2</sup>
Type of connection	USB: micro USB connector
Ambient temperature operation	-20°C to 40°C
Attachment	Belt clip and loop for optional lanyard
<b>Conformity</b>	
Reference standard	CE, RoHS, Vibration & Shock

<sup>1</sup> With USB 3.0 compliant charger - "not included"

<sup>2</sup> Can be customised on demand for volume orders



*Terabee Proximeter is a robust and comprehensive solution developed and produced in France and rigorously tested by CERN, in Switzerland.*

The Ultra wideband applications are subject to regulations that vary depending on the country. The Proximeter can be used in the European Union, the United States, Canada, Norway, Switzerland and the United Kingdom. Countries not listed above may also approve this product, please contact us for further information.